



Productive Plastics' face shields are a high-quality and user-oriented personal protective equipment (PPE) product. These shields are designed specifically to maximize protection, freedom of head movement, and comfort for frontline healthcare professionals and for any essential workforce (retail, grocery, food service, delivery) where social interaction is necessary.



Added Protection Coverage

Greater Freedom of Movement

Contoured design avoids impact with shoulders and chest

Spacious Design

Easily fits over common face and eye PPE



Increased Visibility

Anti-fog coating available

Comfortable Lightweight Fit

The Productive Plastics face shields provide not only an added layer of protection but an added confidence of safety.

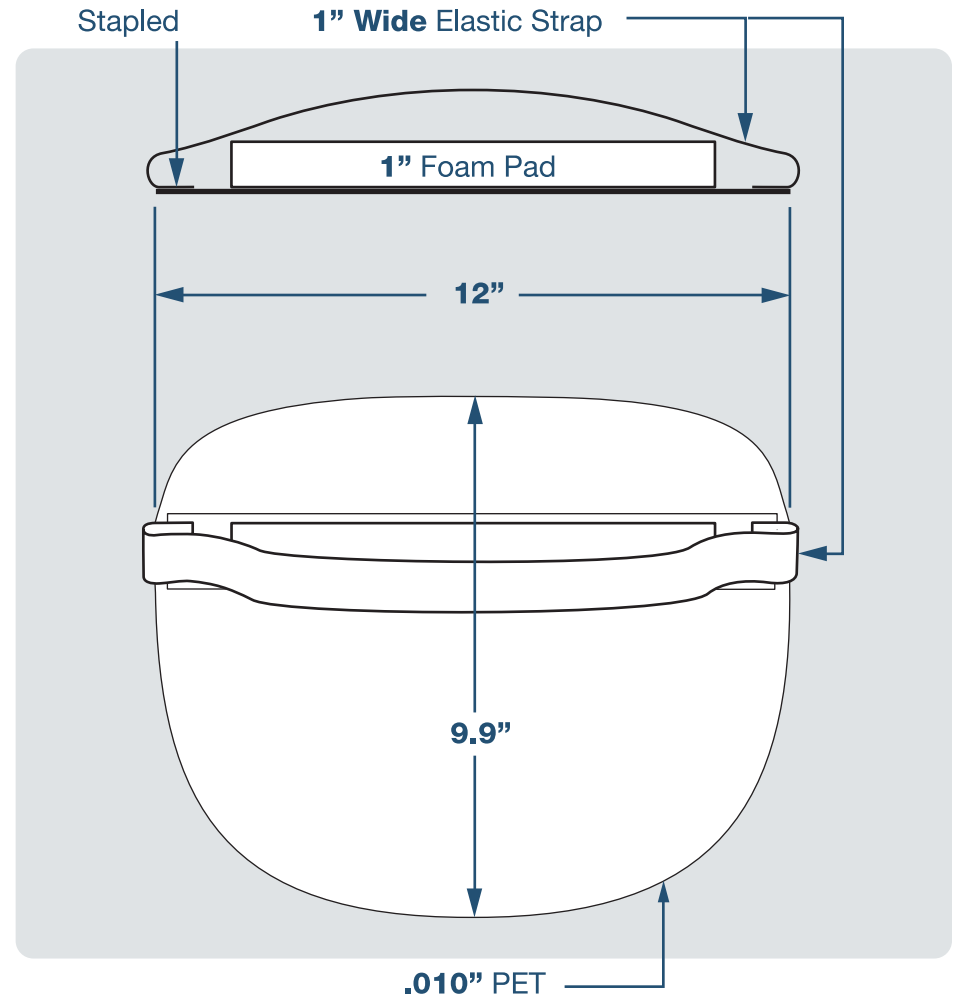
The Productive Plastics Face Shield is authorized by the FDA under an EUA for use by healthcare providers as PPE and is only authorized for the duration of the EUA unless authorization is terminated or revoked sooner. This product has not yet been FDA cleared or approved. Body contacting materials include a latex-free elastic band, open-cell foam padding, and PET visor. This product is intended for single use only.





Materials List

PET Visor	Latex-Free Elastic
Open-Cell Foam Pad	Headband Graphic



Foam Pad



Headband Graphic

